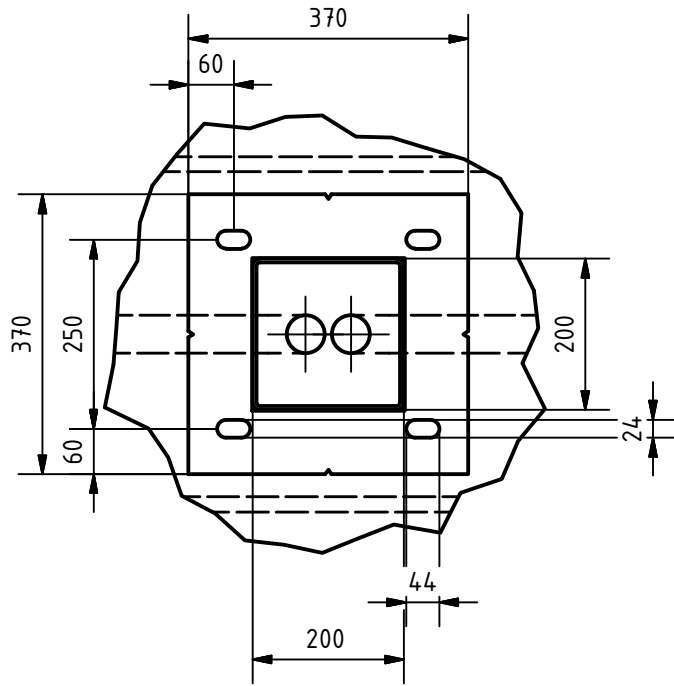


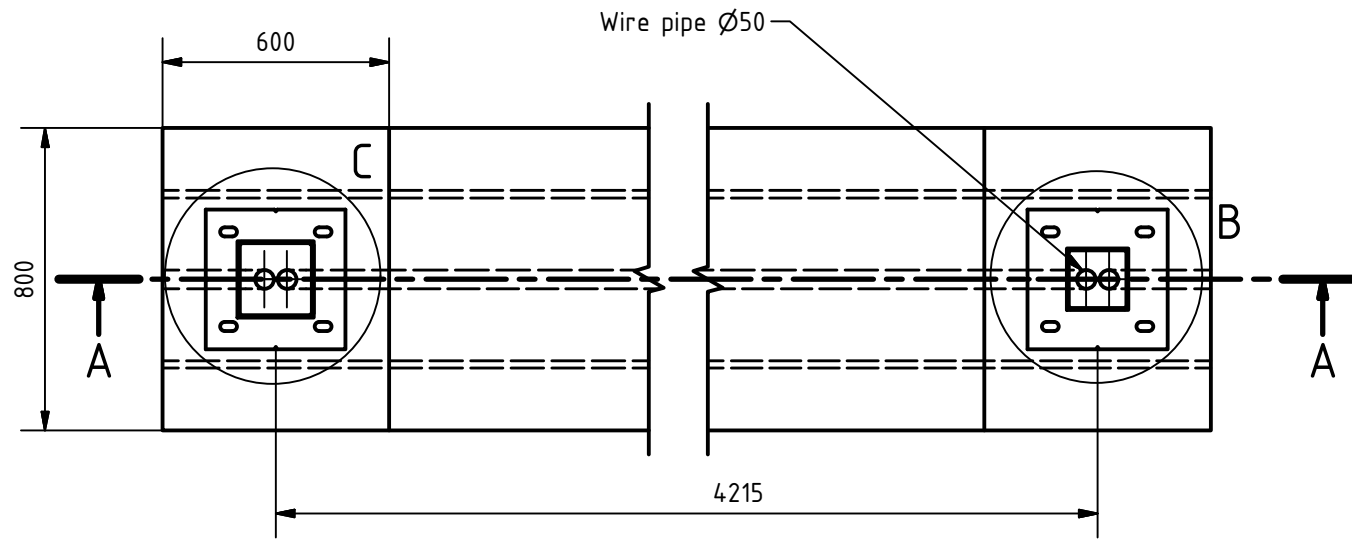
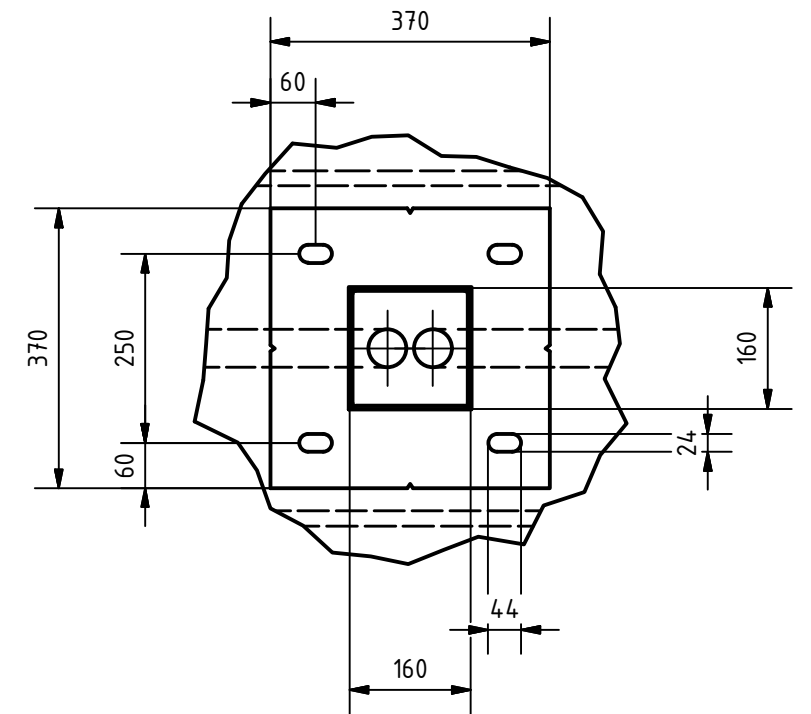
Active Post

C (1 : 10)

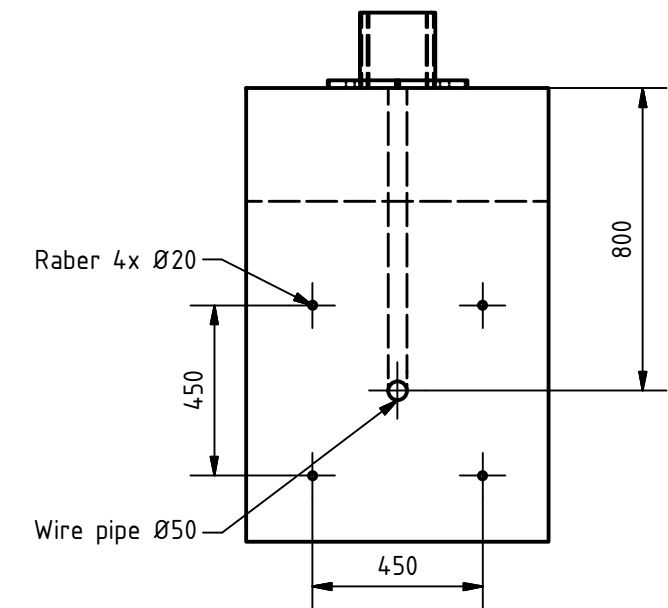
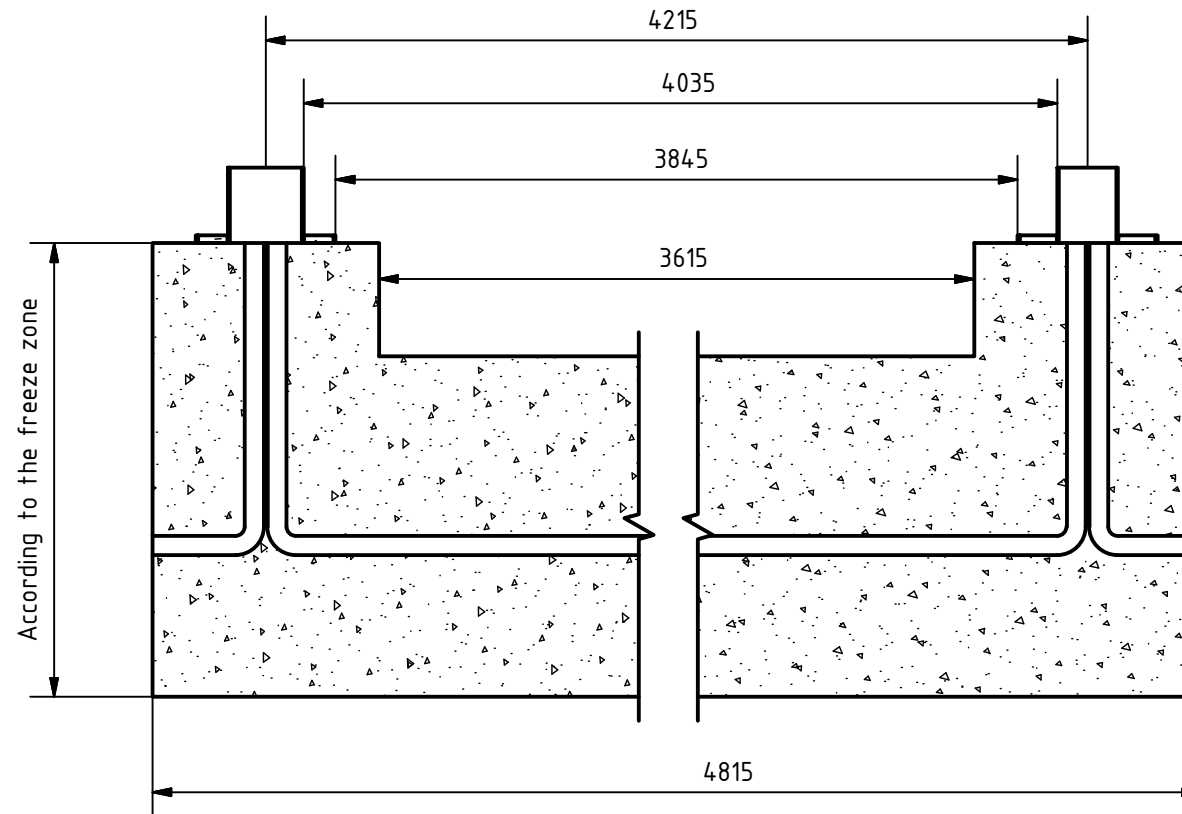


Passive Post

B (1 : 10)



A-A (1:20)



1. All dimensions in mm.
2. Prepare foundation with concrete class C25. Concrete must be reinforced with reinforcement bars or fibres and flat on top.
3. For gate installation put gateposts baskets inside concrete or use anchors M20x400 or longer. Anchors must be over concrete surface 70mm minimum.
4. Placing gate on or in foundation depending on detailed gate size - to be chosen on installation site.
5. This is suggested foundation plan. Dimensions, reinforcement, anchoring.

		Halsäng Stängsel AB Halsäng 4 521 93 Falköping SWEDEN www.halsang.se	
		Material	Coating
-	-	4 000	-
Main post 200x200x5	Frame	Reinforcement	Infill
-	-	-	-
Designed by K. Kowalski	Edited by -	Date 27.03.2019	Order number -
Scale 1:20	Format A3	Drawing Frigg 1W 4000 Foundation Plan	Number 0836.10.A