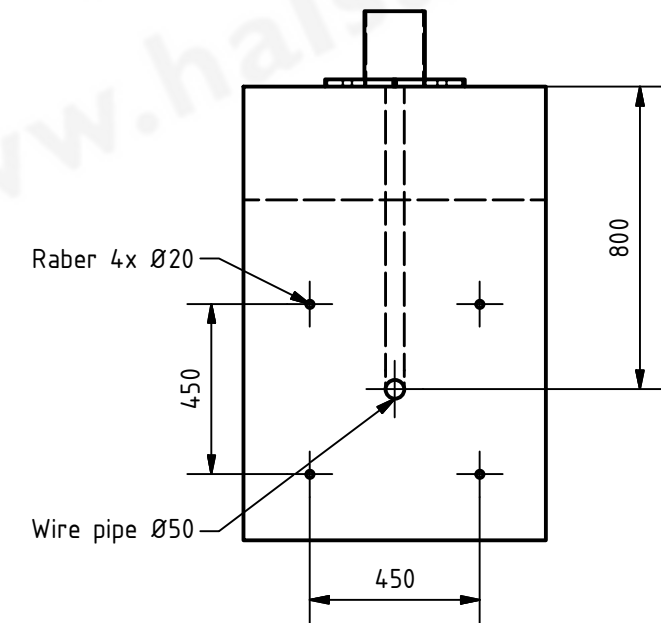
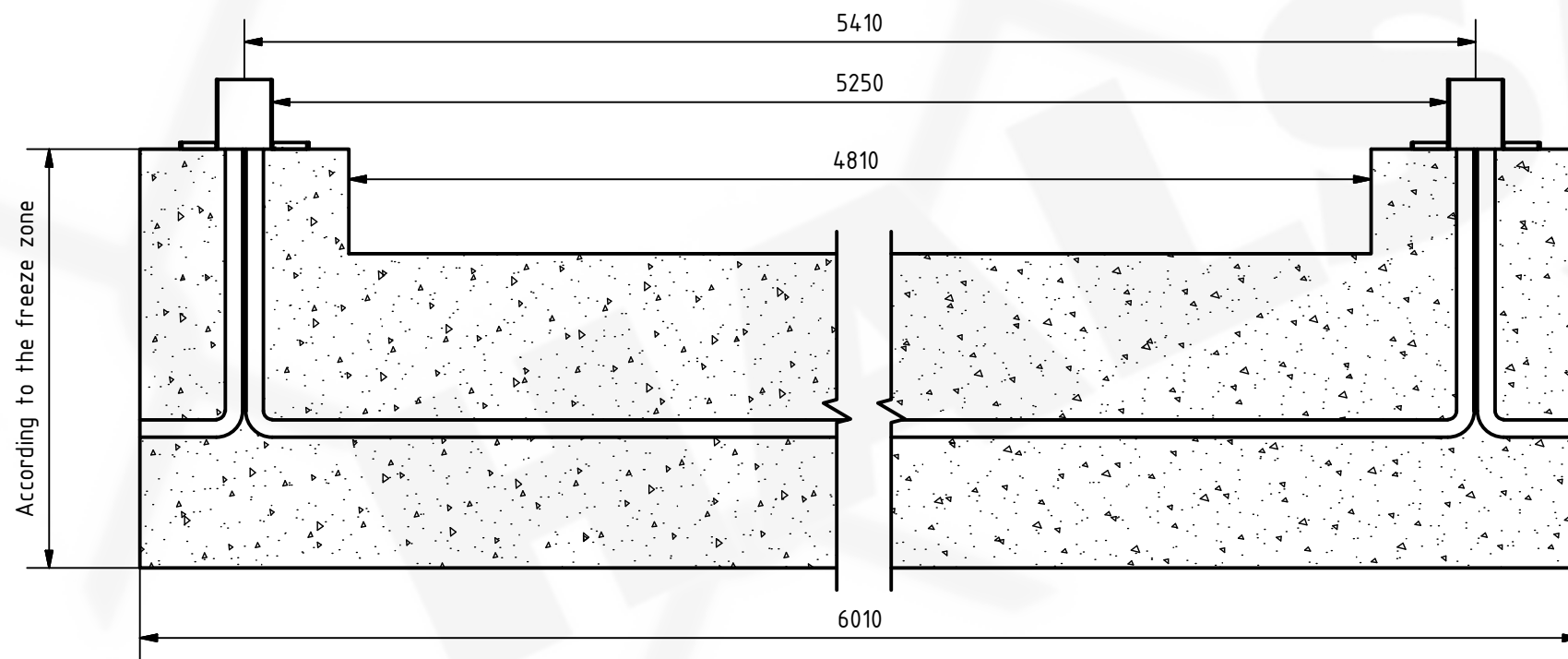


A-A (1:20)



1. All dimensions in mm.
2. Prepare foundation with concrete class C25. Concrete must be reinforced with reinforcement bars or fibres and flat on top.
3. For gate installation put gateposts baskets inside concrete or use anchors M20x400 or longer. Anchors must be over concrete surface 70mm minimum.
4. Placing gate on or in foundation depending on detailed gate size - to be chosen on installation site.
5. This is suggested foundation plan. Dimensions, reinforcement, anchoring.

		Halsäng Stängsel AB Halsäng 4 521 93 Falköping SWEDEN www.halsang.se	
		Material	Coating
-	-	5000	-
Main post	Frame	Reinforcement	Infill
160x160x5	-	-	-
Designed by	Edited by	Date	Order number
K. Kowalski	-	17.06.2018	-
Scale	Format	Drawing	Number
1:20	A3	Frigg Automatic 5000 FP	0445.02.A